

# Anti-Glare LED Down Light SPECIFICATION



# Anti-Glare LED Down Light

## Features

- Replaces the classical compact fluorescent, save operating cost in energy, and no need for maintenance.
- Elegant design, ideal for use in both residential and light-commercial new construction and retrofit applications, Easily install into three inch- eight inch housings.
- 1060 Aluminum Housing Material, good for heat dissipation.
- Delivers beautiful light equal to incandescent and maintains consistency over rated lifetime 50000hours;
- Dimmable and non-dimmbale available ;
- Philips LEDs & Philips Driver with 5years warranty .



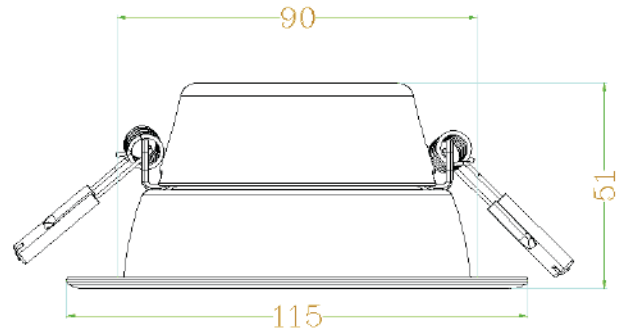
Size	Power (W)	Lumen (3000K)	Dimension (mm)	Cutout (mm)	LED Brand	CRI	CCT	LED qty	Driver	Beam Angle	IP Rate
3inch	10W	850	Φ115*H55	90-105	Philips SMD 3030	>80	2700K 3000K 4000K 6000K	12pcs	Fahold AC100-240V 50/60Hz PF>0.95 PE>88%	120°	IP44
6inch	15W	1275	Φ190*H63	145-180				24pcs			
6inch	20W	2101	Φ190*H63	145-180				24pcs			
8inch	25W	2250	Φ230*H72	200-220				36pcs			
8inch	30W	3218	Φ230*H72	200-220				36pcs			

# Anti-Glare LED Down Light

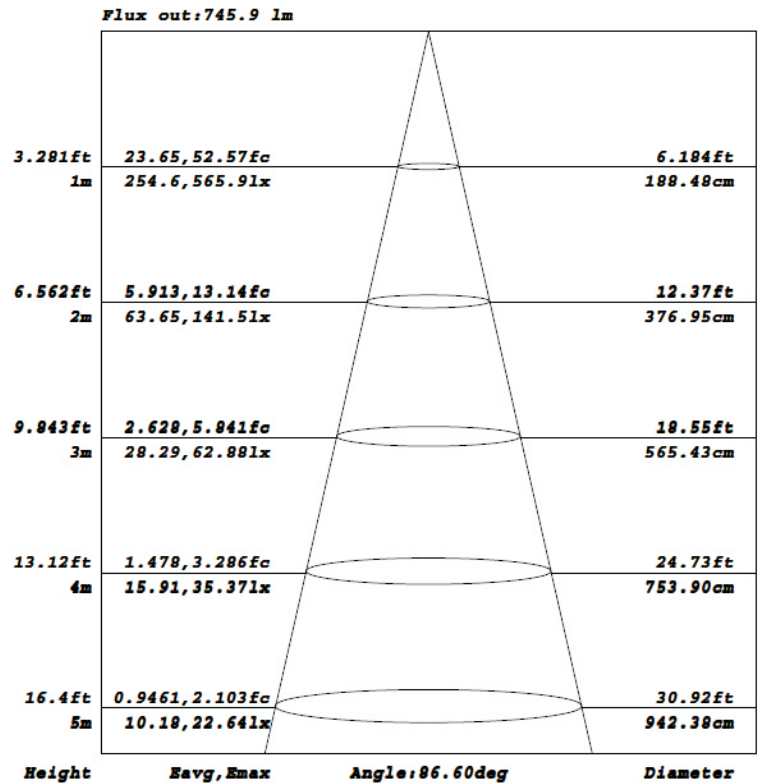
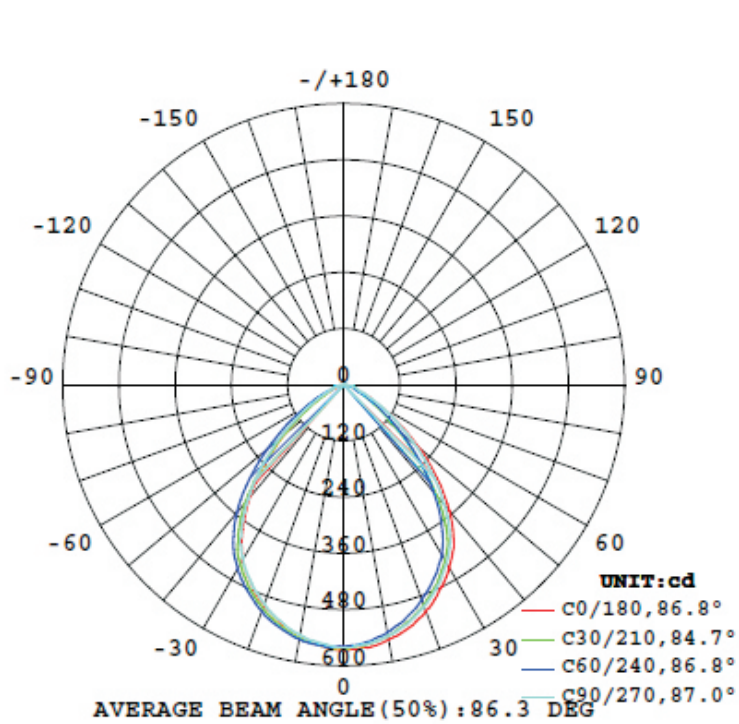


■ Product NO. : JMK-D20-10W

Watt	Color	Lumen	LEDs	Driver	CRI	Voltage	Cut Hole	Size of Inner Box	Size of Out Box	G.W/ pc	G.W/ Ctn	Qty/ Ctn
10W	2700-6500K	800-850lm	Philips 3030smd	Fahold	85	AC100-240V	90-105mm	120*120*90mm	400*400*400mm	0.2Kg	7.5Kg	36pcs



WorkingTemp:	-20°C ~ + 50°C
LifeSpan:	50000 hours
Warranty:	3-5 years
Certificate:	CE,RHOS,SAA,TUV,GS,CB
Material:	Pure Aluminum
Installation:	Recessed
Dimmable:	Available

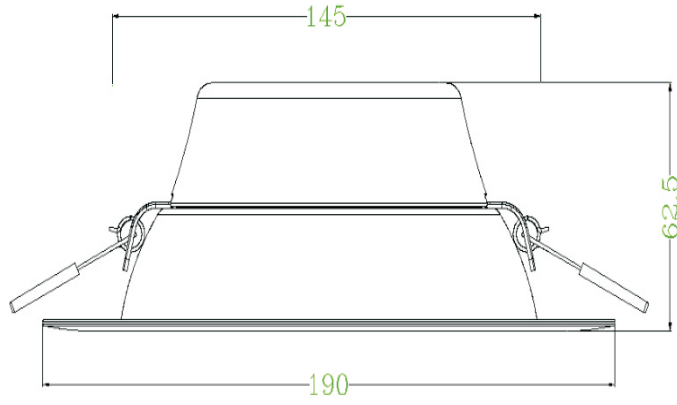


# Anti-Glare LED Down Light

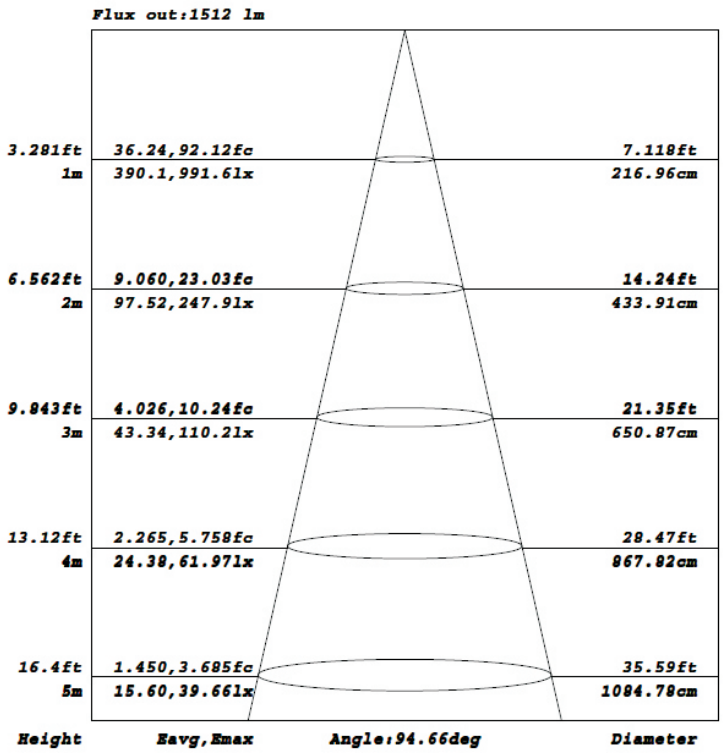
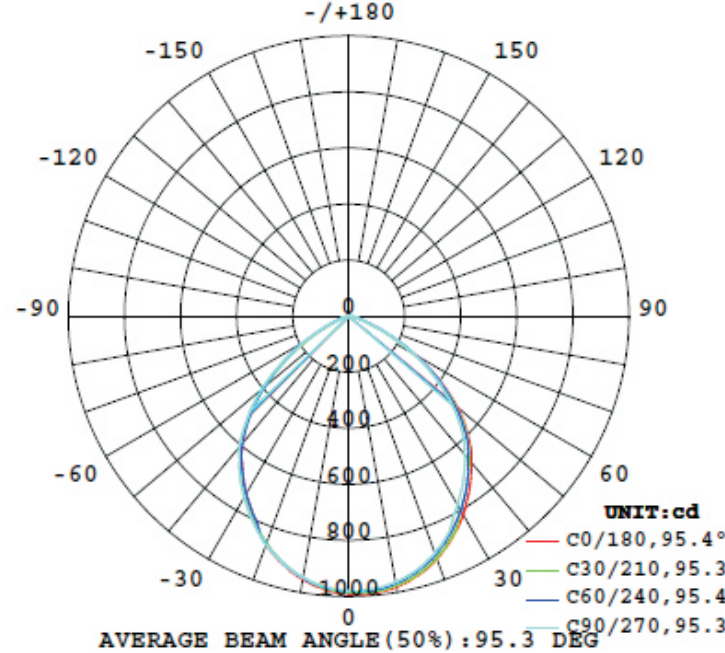


Product NO. : JMK-D20-15W

Watt	Color	Lumen	LEDs	Driver	CRI	Voltage	Cut Hole	Size of Inner Box	Size of Out Box	G.W/ pc	G.W/ Ctn	Qty/ Ctn
15W	2700-6500K	1200-1275lm	Philips 3030smd	Fahold/ Philips	85	AC100-240V	145-180mm	210*210*80mm	440*340*440mm	0.35Kg	5.9Kg	16pcs



WorkingTemp:	-20°C ~ + 50°C
LifeSpan:	50000 hours
Warranty:	3-5 years
Certificate:	CE,RHOS,SAA,TUV,GS,CB
Material:	Pure Aluminum
Installation:	Recessed
Dimmable:	Available

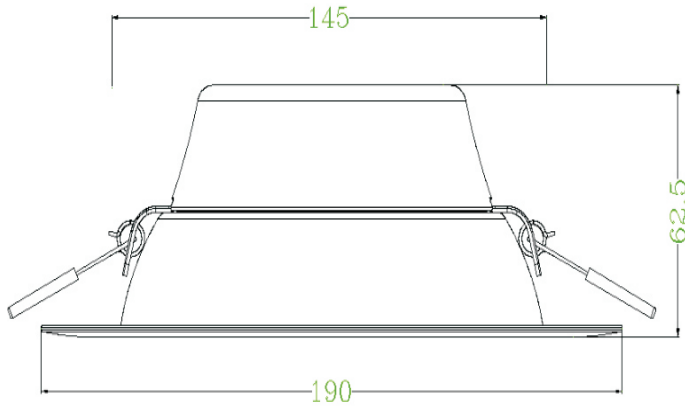


# Anti-Glare LED Down Light

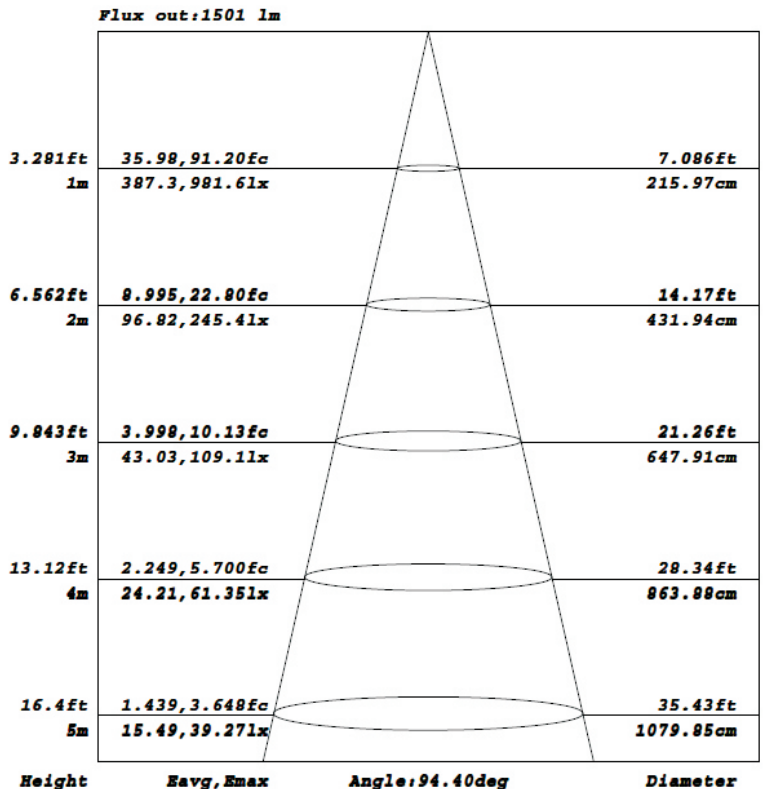
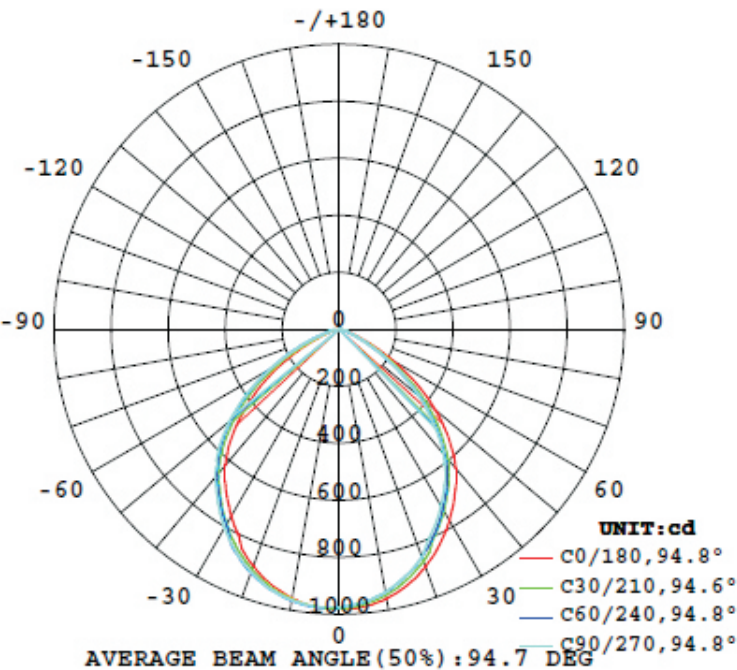


Product NO. : JMK-D20-20W

Watt	Color	Lumen	LEDs	Driver	CRI	Voltage	Cut Hole	Size of Inner Box	Size of Out Box	G.W/ pc	G.W/ Ctn	Qty/ Ctn
20W	2700-6500K	1700-1800lm	Philips 3030smd	Fahold/ Philips	85	AC100-240V	145-180mm	210*210*80mm	440*340*440mm	0.37Kg	6.2Kg	16pcs



WorkingTemp:	-20°C ~ + 50°C
LifeSpan:	50000 hours
Warranty:	3-5 years
Certificate:	CE, RHOS, SAA, TUV, GS, CB
Material:	Pure Aluminum
Installation:	Recessed
Dimmable:	Available

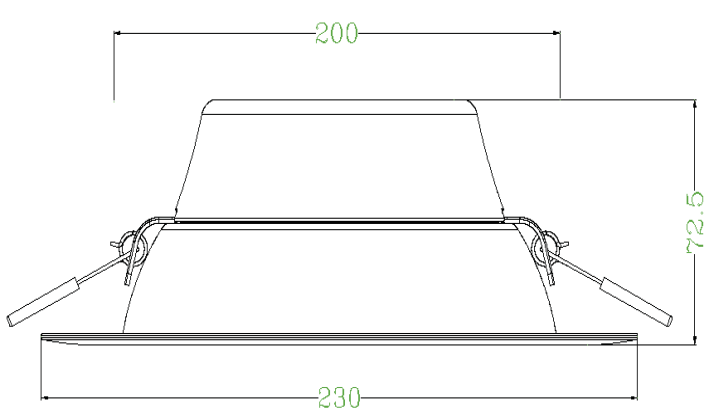


# Anti-Glare LED Down Light

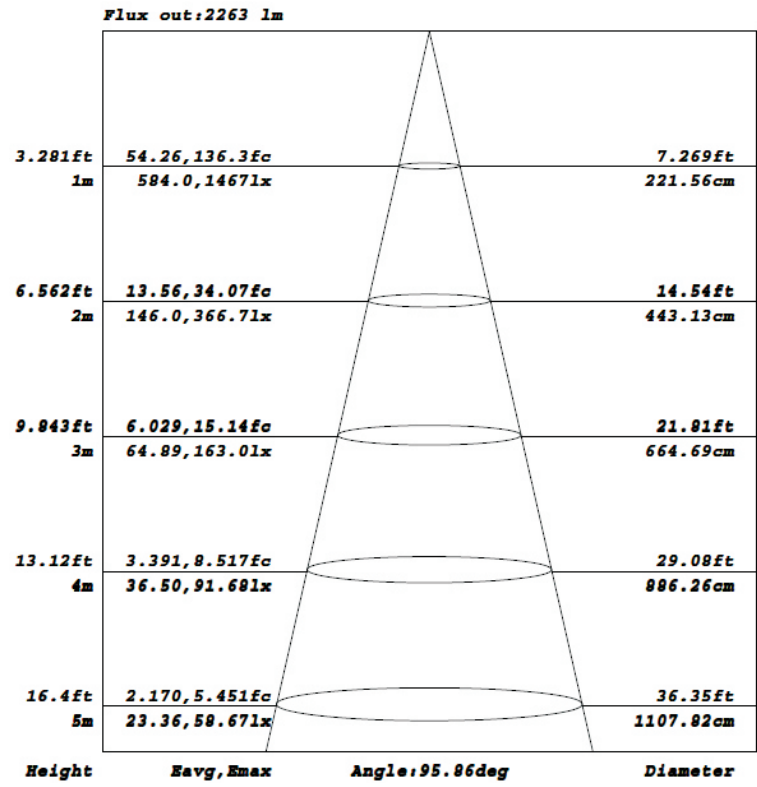
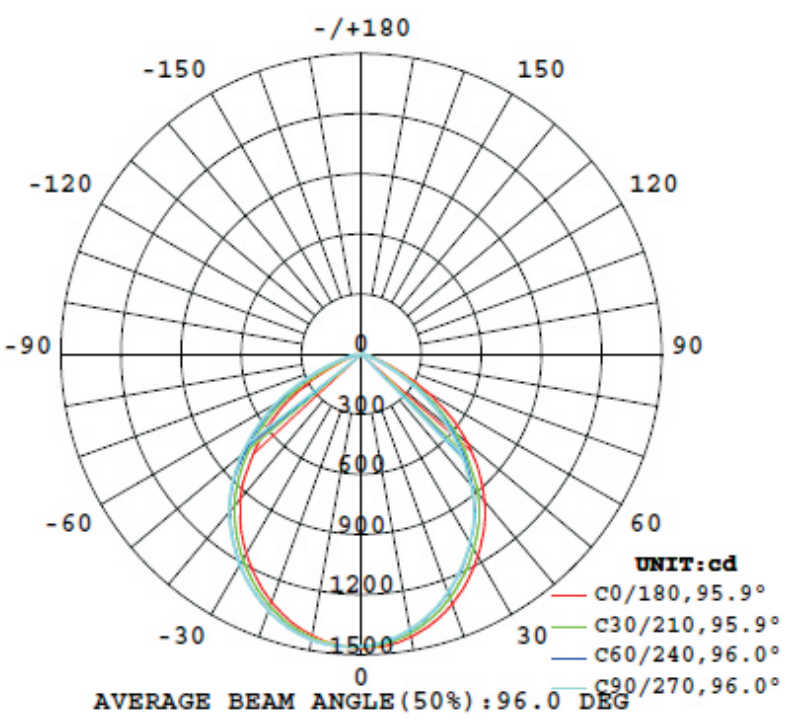


■ Product NO. : JMK-D20-25W

Watt	Color	Lumen	LEDs	Driver	CRI	Voltage	Cut Hole	Size of Inner Box	Size of Out Box	G.W/pc	G.W/Ctn	Qty/Ctn
25W	2700-6500K	2125-2250lm	Philips 3030smd	Fahold/Philips	85	AC100-240V	200-220mm	250*250*85mm	515*285*515mm	0.57Kg	7.1Kg	12pcs



WorkingTemp:	-20°C ~ + 50°C
LifeSpan:	50000 hours
Warranty:	3-5 years
Certificate:	CE,RHOS,SAA,TUV,GS,CB
Material:	Pure Aluminum
Installation:	Recessed
Dimmable:	Available

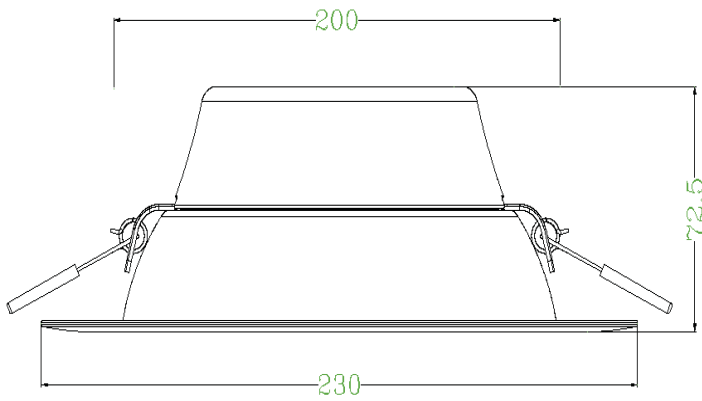


# Anti-Glare LED Down Light

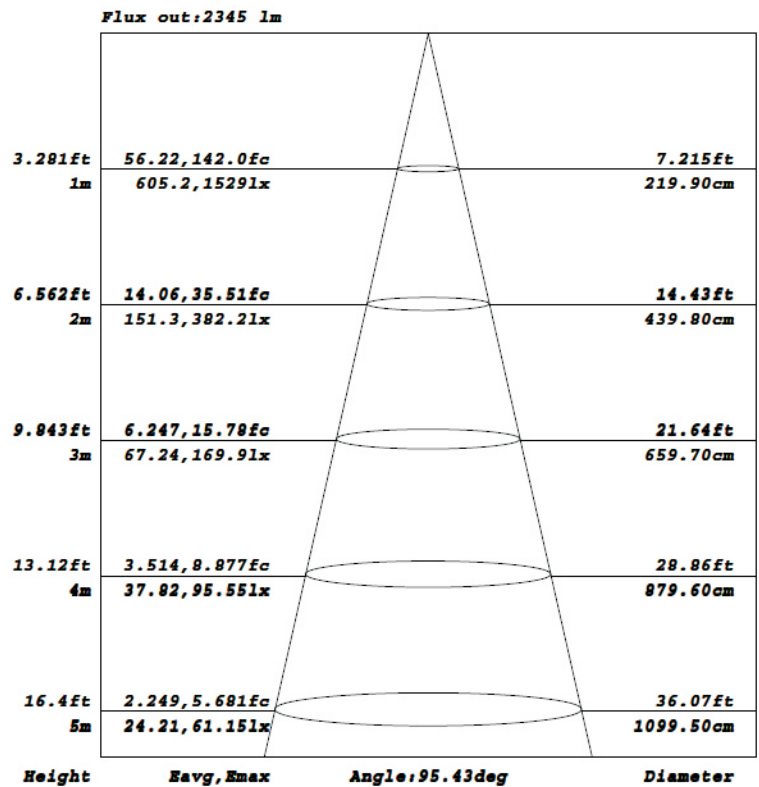
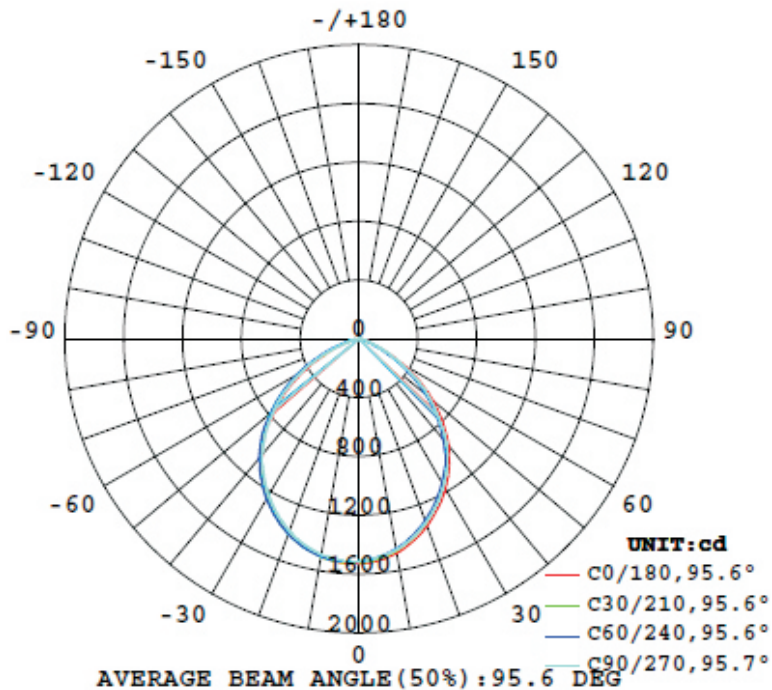


■ Product NO. : JMK-D20-30W

Watt	Color	Lumen	LEDs	Driver	CRI	Voltage	Cut Hole	Size of Inner Box	Size of Out Box	G.W/ pc	G.W/ Ctn	Qty/ Ctn
30W	2700-6500K	2850-3000lm	Philips 3030smd	Fahold/ Philips	85	AC100-240V	200-220mm	250*250*85mm	515*285*515mm	0.57Kg	7.2Kg	12pcs



Product name: Anti-Glare LED Down Light  
 PF: 0.9  
 FE: 88%  
 Working Temp: -20°C ~ +45°C  
 Life Span: 50000hours  
 Warranty: 3-5 years  
 Certificate: CE, RHOS, ERP, SAA, TUV  
 Shell Material: Pure Aluminium  
 IP Rating: IP44  
 Installation: Recessed  
 Dimmable driver: Available



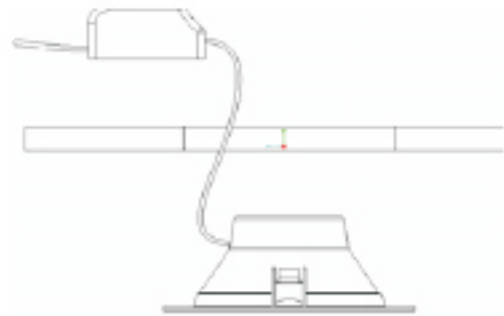
# Anti-Glare LED Down Light

## How to Installation & Warning Details

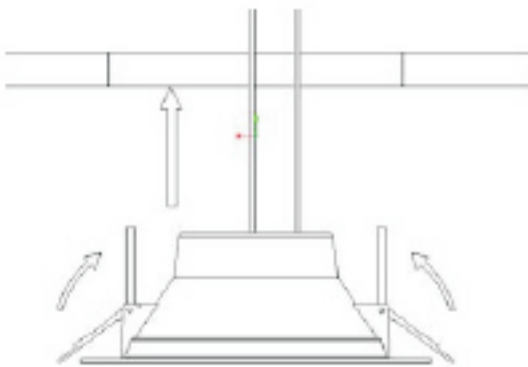
- Cut the hole according to the size;
- Take out the trim of the down light;
- Connect the driver to the main supply per spec( AC 100-240V / 50HZ-60HZ);
- Insert the lamp in the hole;
- Bend the string & Put the driver in suitable place.



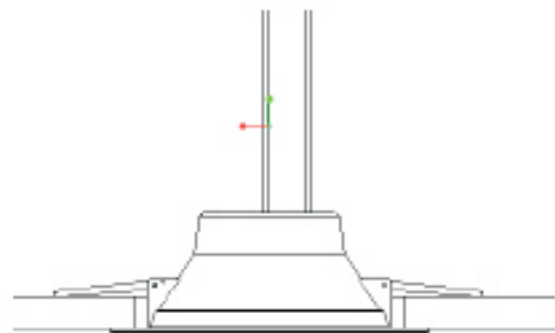
① Cut the hole



② Take out the trim & connect the driver



③ Insert the lamp in the hole



④ Bend the string  
& Put the driver in suitable place

## Warning Details

- When install the down light, should by technical professionals;
- Power should be cut off before installation, maintenance or inspection;
- Please install and use the down light strictly according to the instruction;
- To avoid accident of electric shock or lighting falling, please do not disassemble or remold the product at will.