

# Specification

## Wall Pack Lighting

### APPLICATIONS

The LED Wallpack lighting is designed for Outdoor applications of IP65  
Operating Temperature@-20°C to +40°C

### FIXTURE

High performance LED design delivering up to 100 lumens/watt  
Driver Efficiency as high as 90%  
Die-casting aluminum Housing  
Efficient aluminum reflector  
Tempered glass lens

### LED DRIVER

Power factor greater than 0.95  
Standard 0 to 10v dimmable drivers  
FCC 47CFR Part 15 Class B Compliant

### Certification

• UL/CUL Listed(E349562) , FCC,CE,RoHS

### WARRANTY

• 5 Years from Date of Purchase



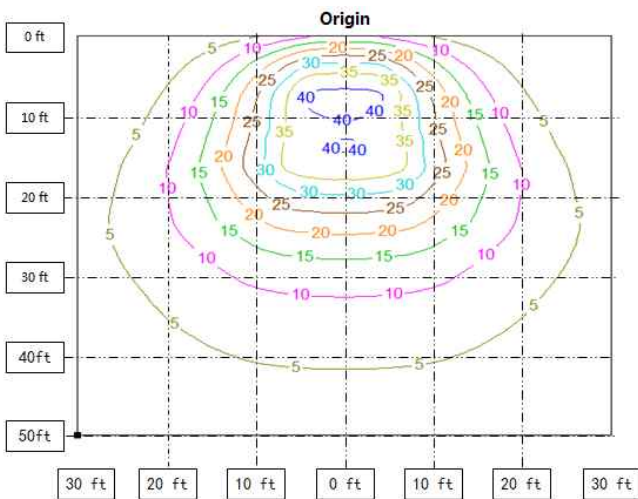
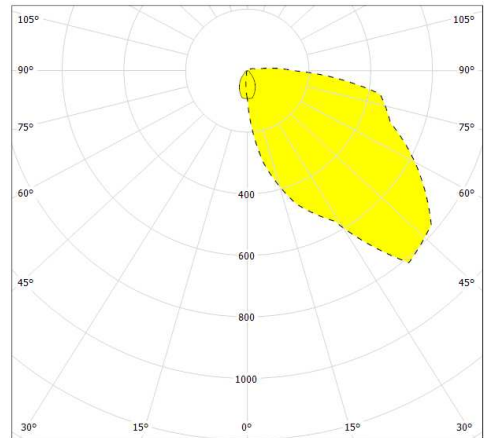
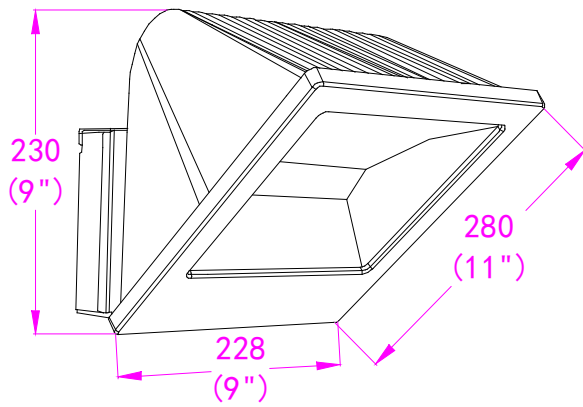
Model NO.  
WP02-40W-277-XX-X  
WP02-60W-277-XX-X  
WP02-80W-277-XX-X  
WP02-60W-347-XX-X



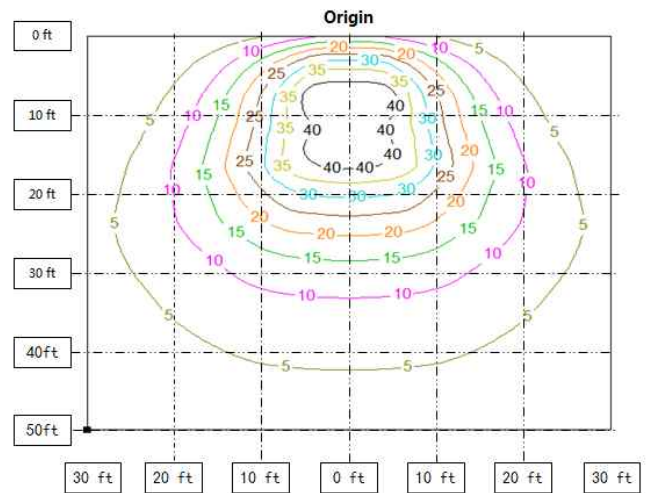
## I .Fixture Parameters

Model Number	WP02-40W-277-XX-X	WP02-60W-277-XX-X	WP02-80W-277-XX-X	WP02-60W-347-XX-X
Lumen Output	3000lm@3000K 3200lm@5000K,6000K	4500lm@3000K 4800lm@5000K,6000K	6000lm@3000K 6400lm@5000K,6000K	4500lm@3000K 4800lm@5000K,6000K
Input Range	100-240/277Vac,0.5A Max	100-240/277Vac,0.8A Max	100-240/277Vac,1A Max	220-480Vac 0.4A Max.
Total Harmonic Distortion	<20%			
Input Watt.	40W±5%	60W±5%	80W±5%	60W±5%
Led Brand	SAMSUNG			
Color Temperature (CCT)	3000±200K / 5000±400K / 6000±500K			
CRI	Ra>70			
LED Rated Life L70(H)	>50000Hrs	>50000Hrs	>36400 Hrs	>50000Hrs
Certification	DLC / FCC / UL/CUL / CE / RoHS			
IP Rate	IP65			
Fixture Weight:	3.9Kg(8.6lb)	3.9Kg(8.6lb)	4.15Kg(9.2lb)	4.3Kg(9.5lb)

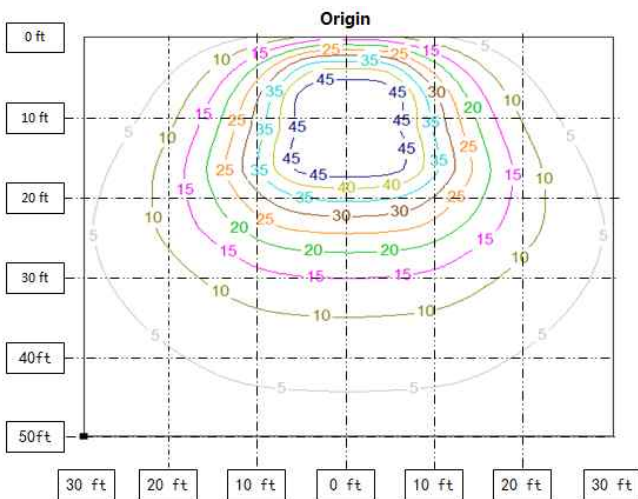
## II. Size & Distribution & Illuminance



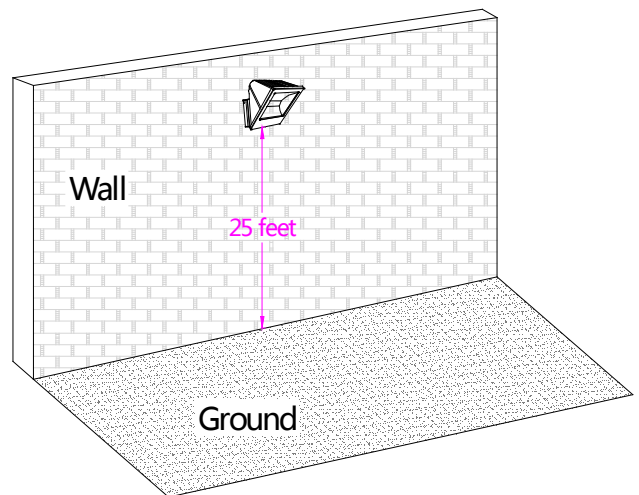
WP02-40W-277-XX-X @ 25ft high



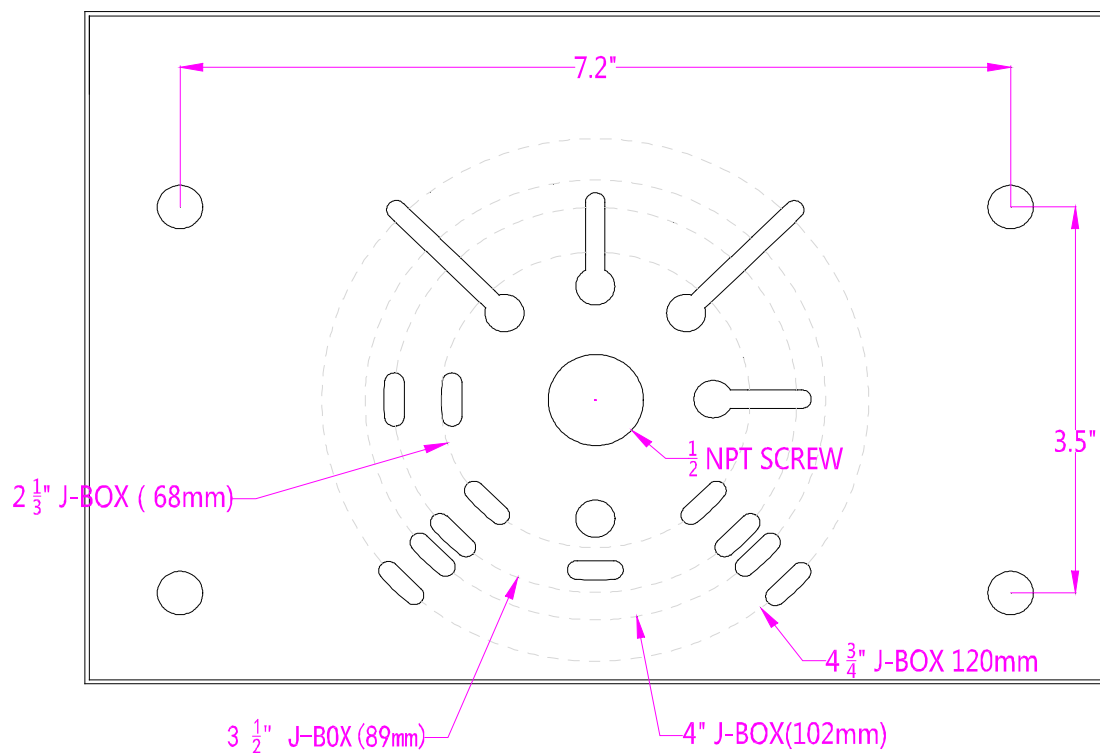
WP02-60W-277-XX-X(WP02-60W-347-XX-X @ 25ft high ) @ 25ft high



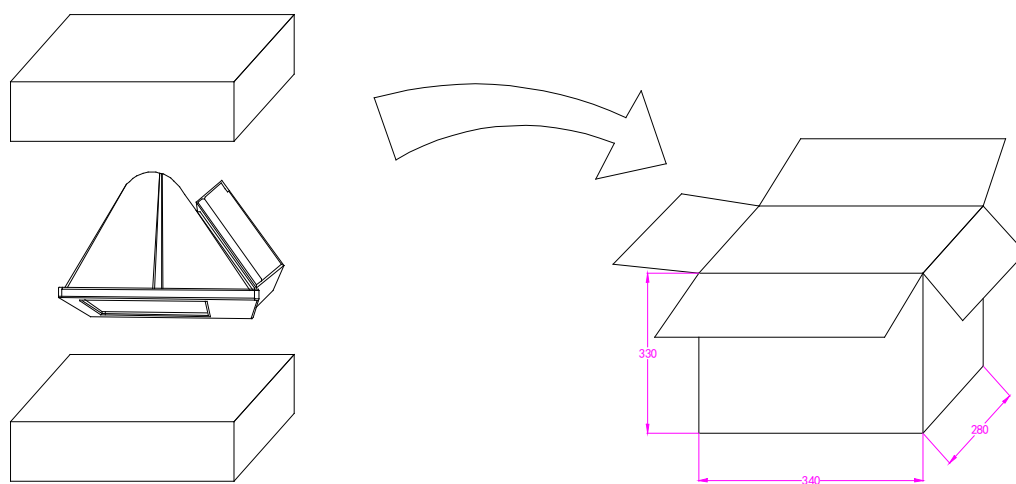
WP02-80W-277-XX-X @ 25ft high



### III.Installation(Mounting holes):



### IV.Package



WEIGHT:

Model Number	G.W	Package size
WP02-40W-277-XX-X	5kg	330X340X290(mm)
WP02-60W-277-XX-X	5kg	
WP02-80W-277-XX-X	5.2Kg	
WP02-60W-347-XX-X	5.4Kg	