

## F25-100W-Series



### Specifications

■ Modle Number	JMK-F25-100W
■ Wattage	100W
■ Input Voltage Range	100-277Vac 50/60Hz
■ Max.Input current	1Amp@100Vac
■ Operating Temp.	-25 C -50 C
■ power factor	>0.95
■ Lumen Output	10000lm
■ CRI	Ra>80
■ CCT.	2700K,4000K,5000K,5700K
■ IP Rating	IP65
■ IK Rating	IK07
■ L70 life span	>50000Hrs
■ Housing Material	Aluminum
■ Lens	Tempglass
■ Fixture Weight	4.Kg

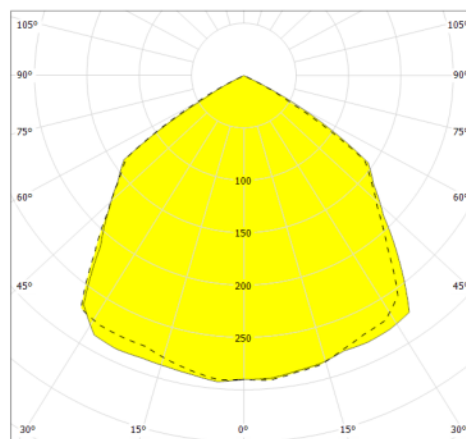
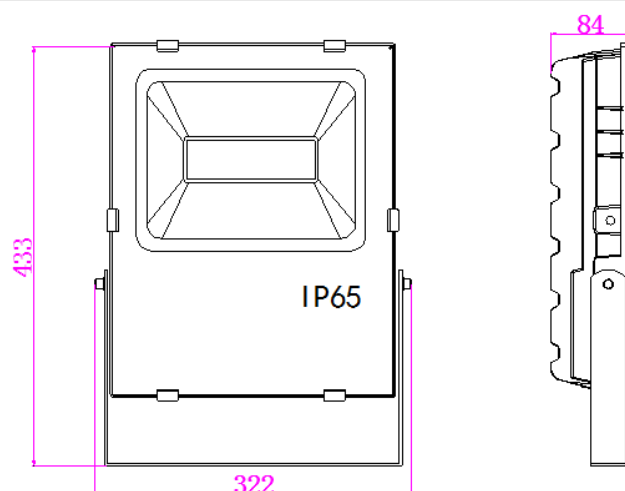
### Certificate

CE RoHS

### Order Information

Input Voltage	Wattage	CCT	Beam Angle	Dimming
100-277Vac	10W/20W/30W 50W/80W/100W 120W/150W	2700-3000K 4000-4500K 5000-5500K 5700-6500K	100degree	Dimming(1-10V, PWM,Resistor) Non Dimming

### Product Size



### Packaging

4pcs/CTN 17.5Kg Dimension: 360\*470\*465mm

1pcs/CTN 4.25Kg Dimension: 340\*104\*45mm

